



# South Bay Foundry

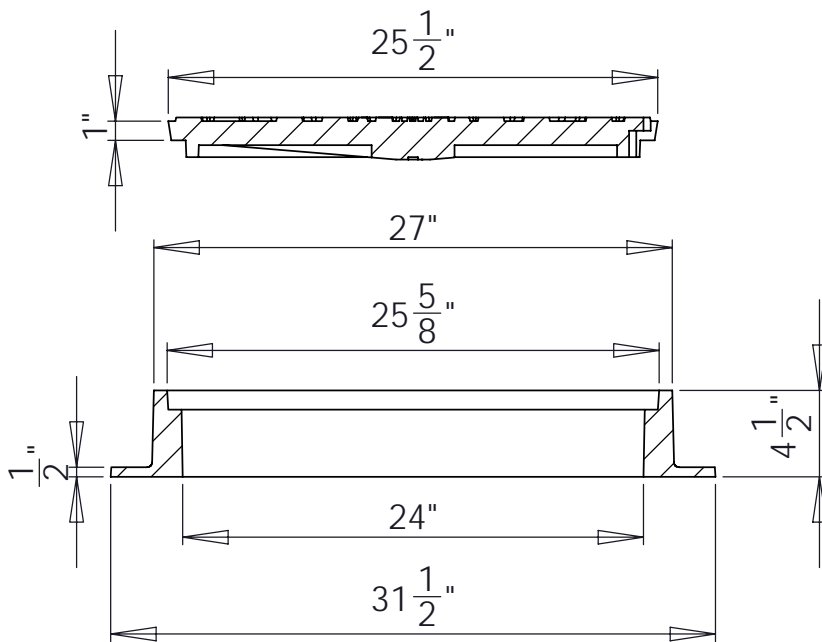
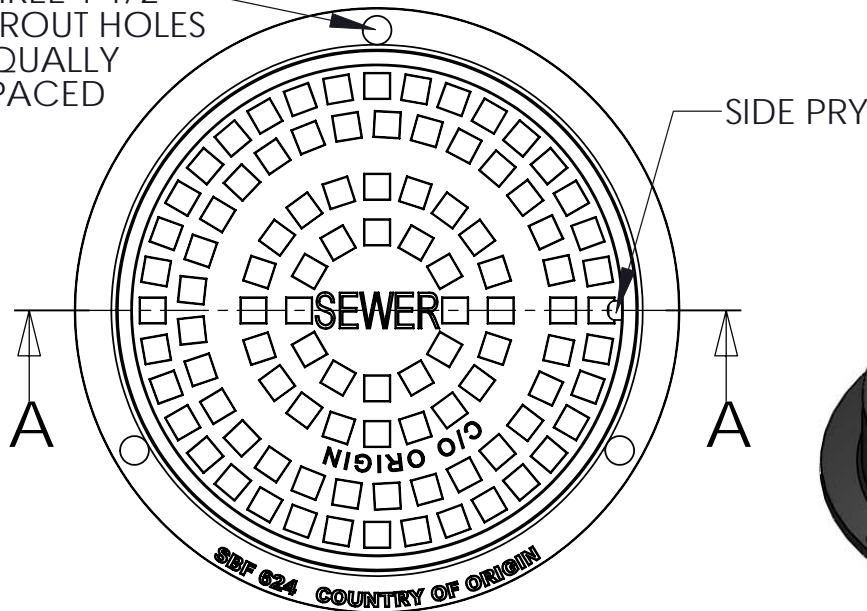
WWW.SOUTHBAYFOUNDRY.COM

PHONE: (619) 956-2780 FAX: (619) 956-2788

**SBF 624 / 107**

24" MANHOLE  
FRAME AND COVER  
SEWER

THREE 1 1/2"  
GROUT HOLES  
EQUALLY  
SPACED



## SECTION A-A

SET WEIGHT	
FRAME	158 LB
COVER	136 LB
TOTAL	294 LB

### GENERAL INFORMATION

- \*MATERIALS CONFORM TO ASTM A48 CLASS 35B
- \*FRAME AND COVER BEARING SURFACES MACHINED FOR CLOSE, QUIET FIT
- \*CASTINGS SHALL BE DIPPED IN BLACK BITUMINOUS PAINT
- \*FRAME AND COVER EXCEEDS H-20 WHEEL LOADING

APPROVED

BY:

TITLE:

AGENCY:

DATE: