



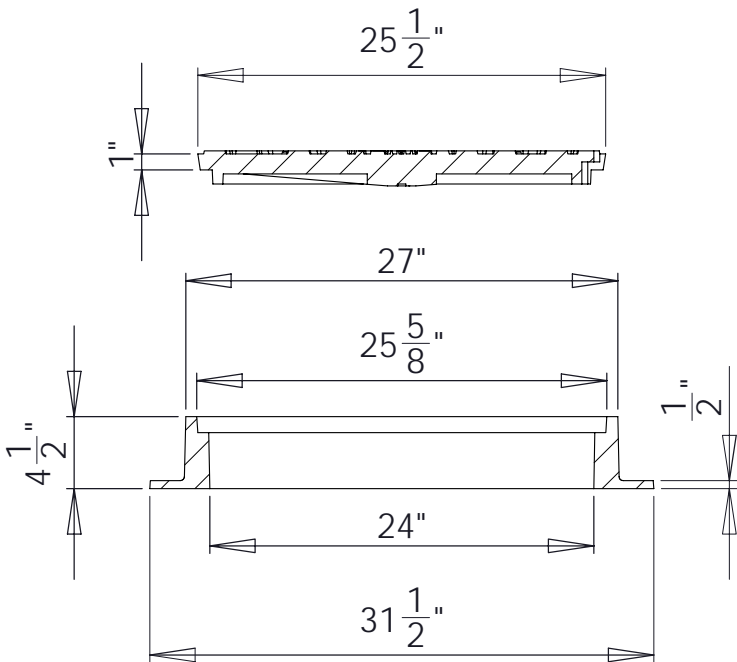
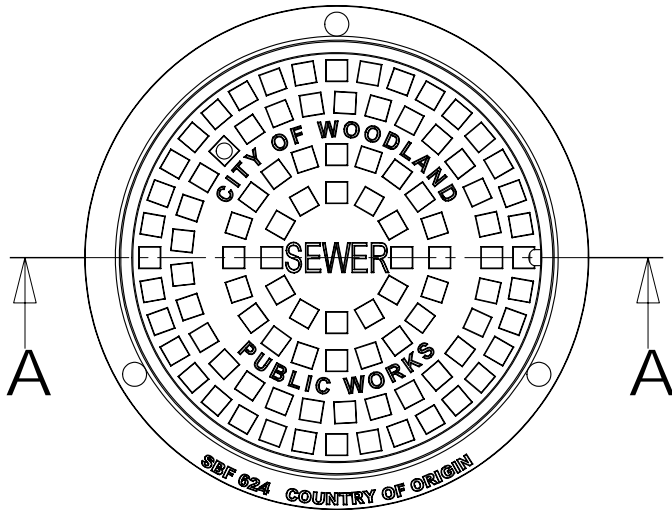
South Bay Foundry

WWW.SOUTHBAYFOUNDRY.COM

PHONE: (619) 956-2780 FAX: (619) 956-2788

SBF 624 107

24" MANHOLE
FRAME AND COVER
CITY OF WOODLAND SEWER PW



SET WEIGHT	
FRAME	158 LB
COVER	136 LB
TOTAL	294 LB

SECTION A-A

GENERAL INFORMATION

- *MATERIAL: GREY CAST IRON ASTM A48 CLASS 30B
- *BEARING SURFACES MACHINED FOR CLOSE, QUIET FIT
- *MEETS H-20 WHEEL LOAD REQUIREMENTS

APPROVED

BY:

TITLE:

AGENCY:

DATE: