



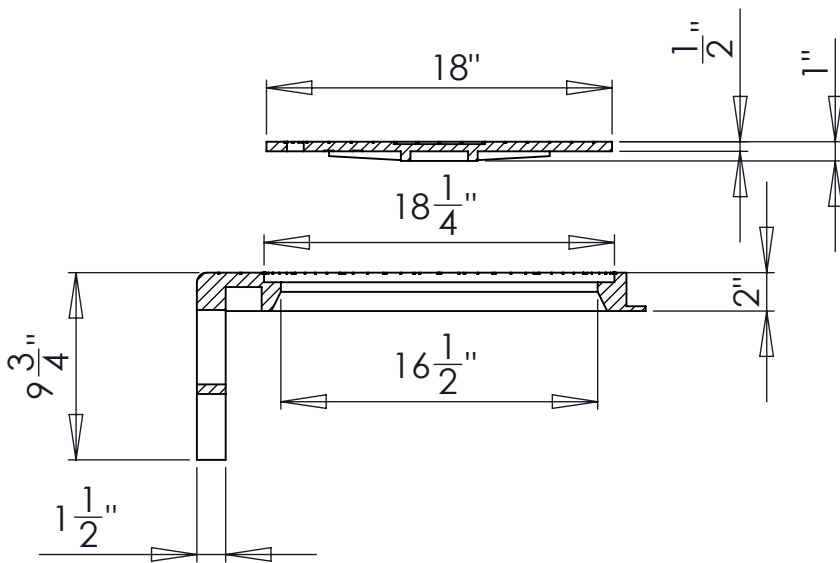
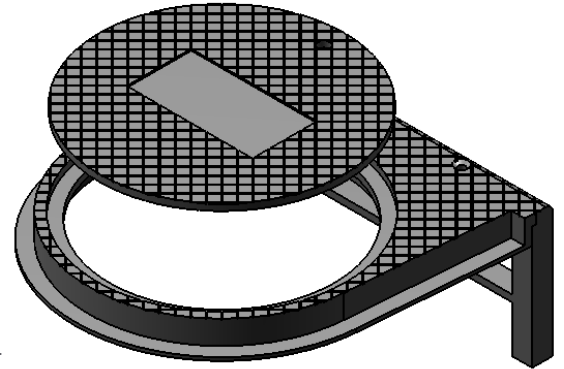
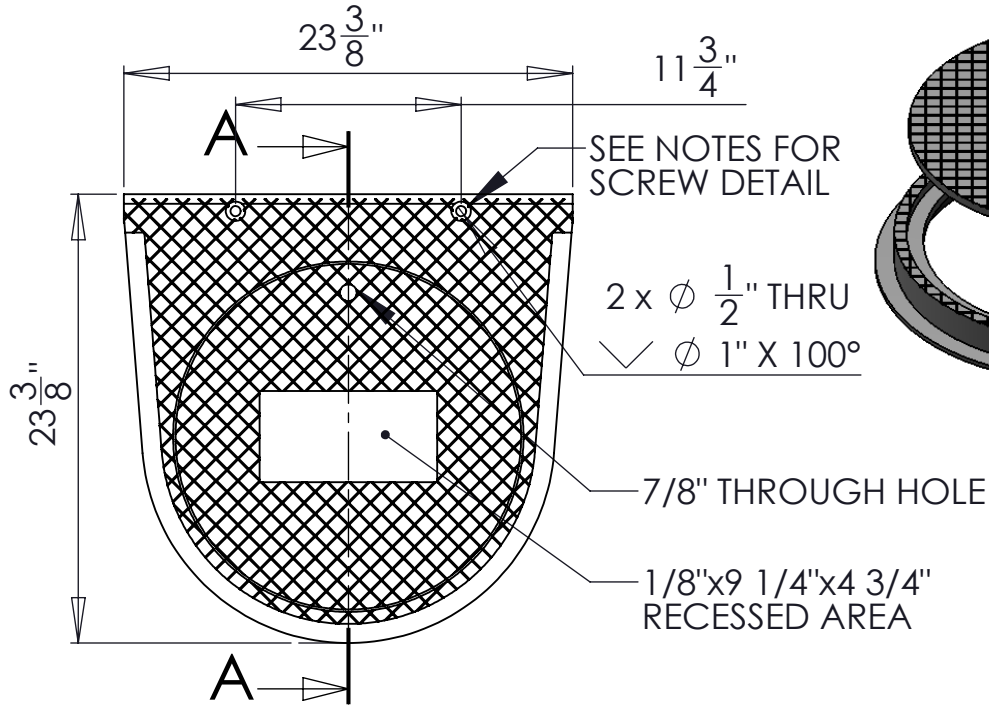
South Bay Foundry

WWW.SOUTHBAYFOUNDRY.COM

PHONE: (619) 956-2780 FAX: (619) 956-2788

SBF 307

18" CATCH BASIN
FRAME AND COVER



SET WEIGHT	
FRAME	81 LB
COVER	30 LB
TOTAL	111 LB

SECTION A-A

GENERAL INFORMATION

- *MATERIALS CONFORM TO ASTM A536 CLASS 65-45-12
- *BEARING SURFACES MACHINED FOR CLOSE, QUIET FIT
- *REQUIRES (2) 7/16"-14X2" 18-8 STAINLESS STEEL FLAT SOCKET CAP SCREWS

APPROVED

BY:

TITLE:

AGENCY:

DATE: