



# South Bay Foundry

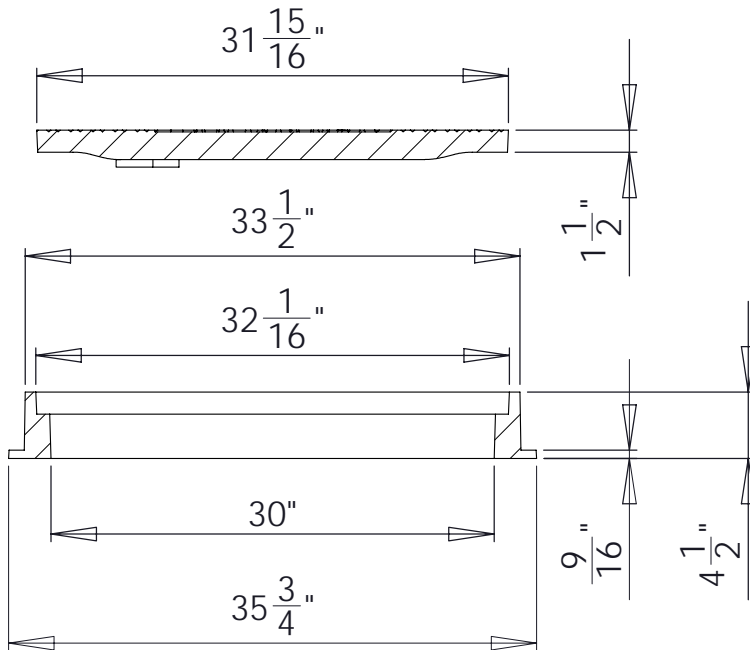
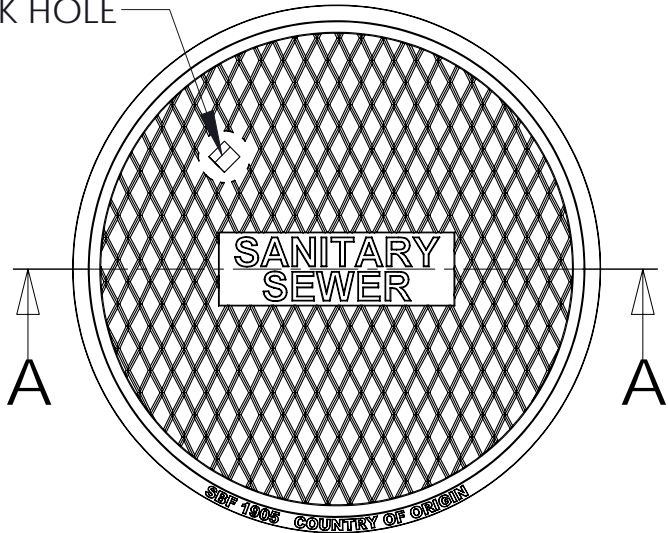
WWW.SOUTHBAYFOUNDRY.COM

PHONE: (619) 956-2780 FAX: (619) 956-2788

## SBF 1905

30" MANHOLE  
FRAME AND COVER  
SANITARY SEWER

CLOSED  
PICK HOLE



SET WEIGHT	
FRAME	290 LB
COVER	300 LB
TOTAL	590 LB

## SECTION A-A

### GENERAL INFORMATION

- \*MATERIALS CONFORM TO ASTM A48 CLASS 35B
- \*BEARING SURFACES MACHINED FOR CLOSE, QUIET FIT
- \*CASTINGS SHALL BE DIPPED IN BLACK BITUMINOUS PAINT
- \*FRAME AND COVER EXCEEDS H-20 WHEEL LOADING

APPROVED

BY:

TITLE:

AGENCY:

DATE: