



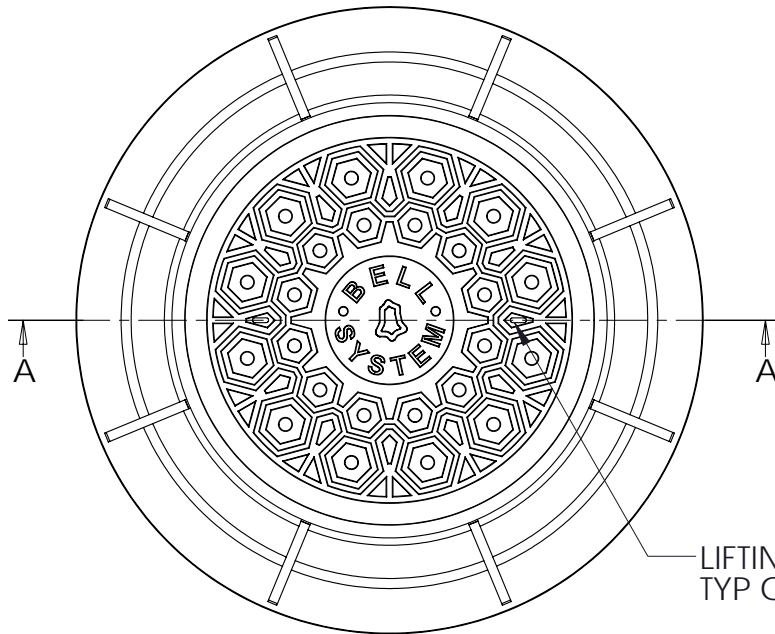
South Bay Foundry

WWW.SOUTHBAYFOUNDRY.COM

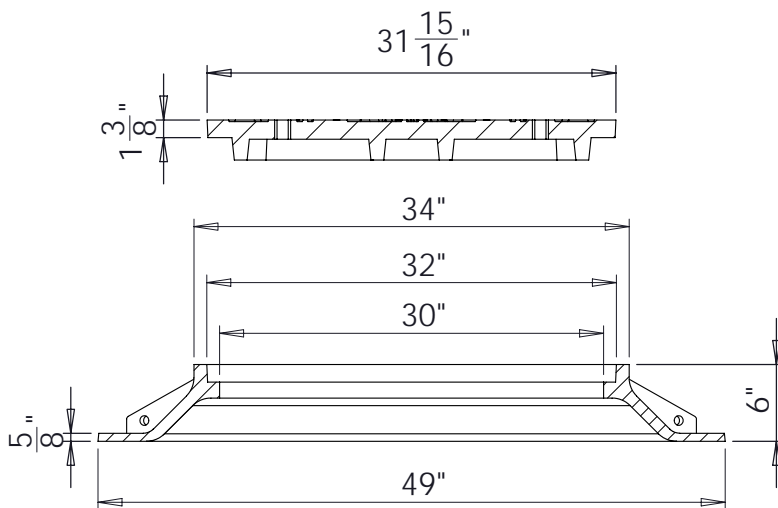
PHONE: (619) 956-2780 FAX: (619) 956-2788

SBF 1134

30" MANHOLE
FRAME AND COVER
BELL SYSTEM



LIFTING SLOT
TYP OF 2



SECTION A-A

| SET WEIGHT | |
|------------|--------|
| FRAME | 300 LB |
| COVER | 325 LB |
| TOTAL | 625 LB |

GENERAL INFORMATION

- *MATERIAL: GREY CAST IRON ASTM A48 CLASS 30B
- *BEARING SURFACES MACHINED FOR CLOSE, QUIET FIT
- *FINISH: DIPPED IN BLACK BITUMINOUS PAINT
- *MEETS H-20 WHEEL LOAD REQUIREMENTS

APPROVED

BY:

TITLE:

AGENCY:

DATE: