



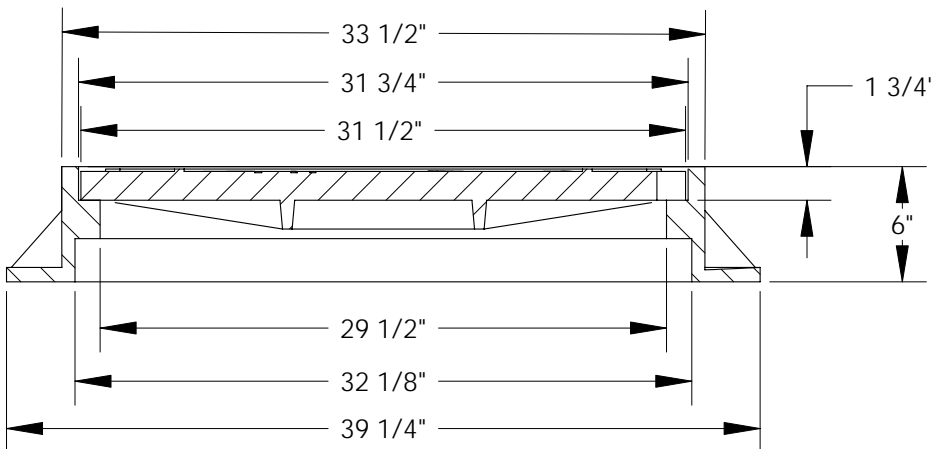
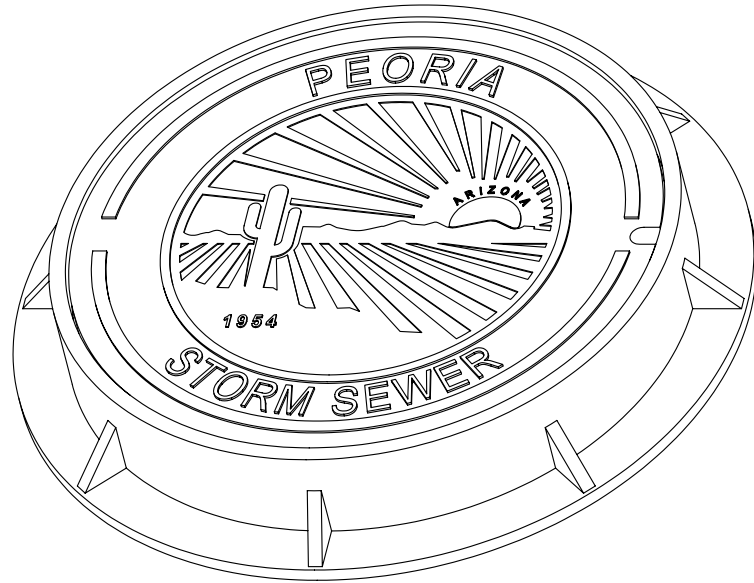
# South Bay Foundry

9444 Abraham Way  
42 North Cluff  
895 S. Inland Center Dr.

Santee, CA 92071  
Lodi, CA 95240  
San Bernardino, CA

(619) 956-2780  
(209) 367-1940  
(909) 888-3334

# SBF 1371 MANHOLE FRAME & COVER A79/PE2



### CLASS 35B

Set Weight	
Frame	219 Lbs
Cover	215 Lbs
Total	434 Lbs

### General Information

- All materials used shall conform to ASTM A48, Class 35B, using wheel load test method to 48,700 lbs.
- Frame and cover bearing surfaces shall be machined to assure close, quiet fit.

Approved	
By:	
Title:	
Agency:	
Date:	
Comments	