



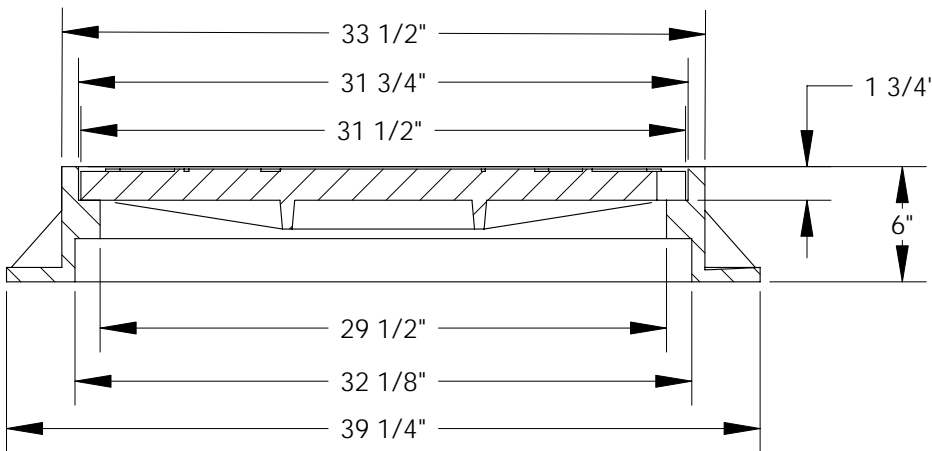
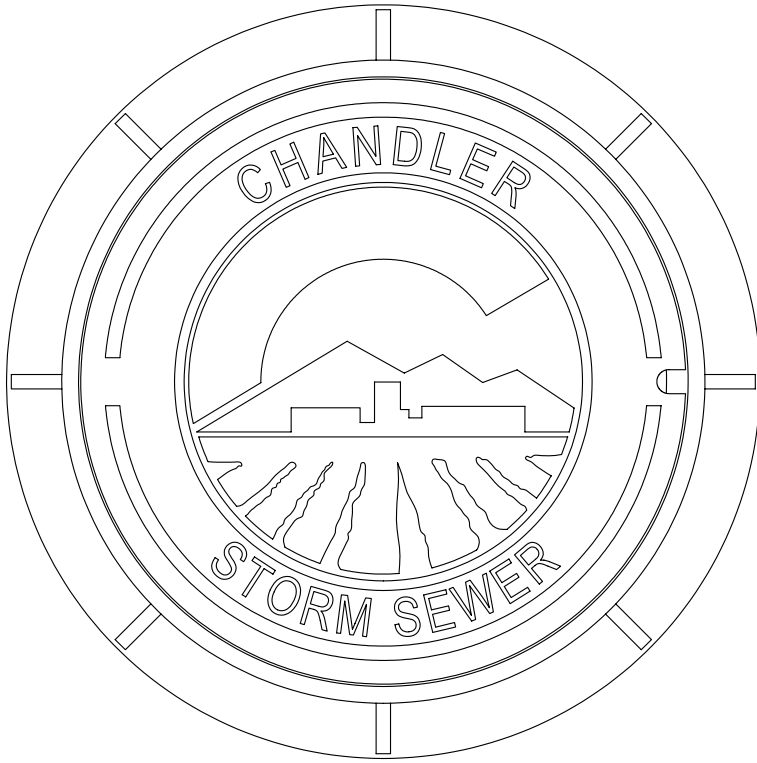
South Bay Foundry

9444 Abraham Way
42 North Cluff
895 S. Inland Center Dr.

Santee, CA 92071
Lodi, CA 95240
San Bernardino, CA

(619) 956-2780
(209) 367-1940
(909) 888-3334

SBF 1371 MANHOLE FRAME & COVER A79/CH2



CLASS 35B

| Set Weight | |
|------------|---------|
| Frame | 219 Lbs |
| Cover | 215 Lbs |
| Total | 434 Lbs |

General Information

- All materials used shall conform to ASTM A48, Class 35B, using wheel load test method to 48,700 lbs.
- Frame and cover bearing surfaces shall be machined to assure close, quiet fit.

| | |
|----------|--|
| Approved | |
| By: | |
| Title: | |
| Agency: | |
| Date: | |
| Comments | |
| | |
| | |
| | |