



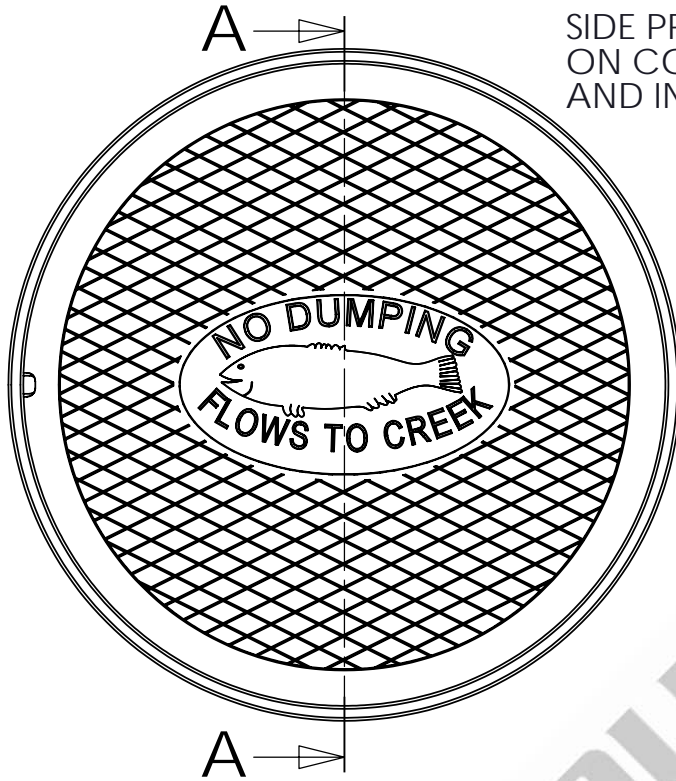
# South Bay Foundry

WWW.SOUTHBAYFOUNDRY.COM

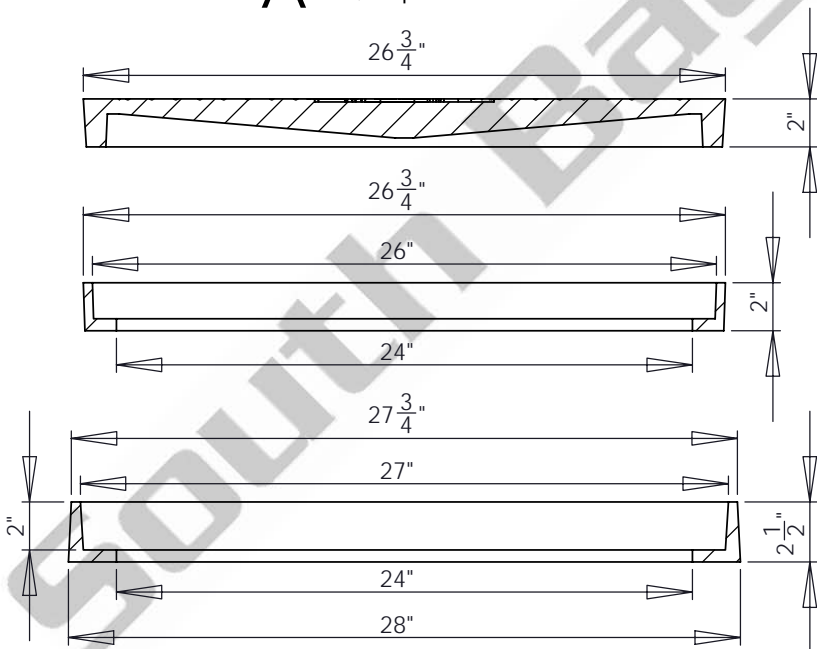
PHONE: (619) 956-2780 FAX: (619) 956-2788

## 24 CIF SRC

24" MANHOLE  
FRAME INSERT AND COVER



SIDE PRY  
ON COVER  
AND INSERT



SECTION A-A

SET WEIGHT	
FRAME	45 LB
INSERT	24 LB
COVER	110 LB
<b>TOTAL</b>	<b>179 LB</b>

GENERAL INFORMATION

- \*MATERIALS CONFORM TO ASTM A48 CLASS 35B
- \*FRAME AND COVER BEARING SURFACES MACHINED FOR CLOSE, QUIET FIT
- \*CASTINGS SHALL BE DIPPED IN BLACK BITUMINOUS PAINT

APPROVED

BY:

TITLE:

AGENCY:

DATE: