



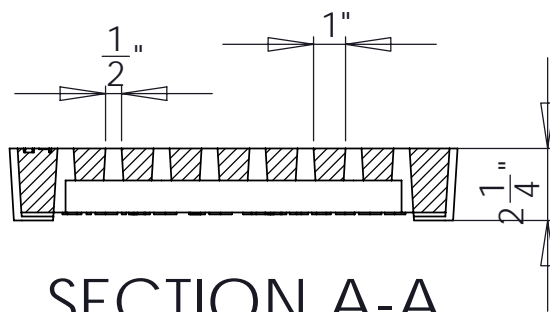
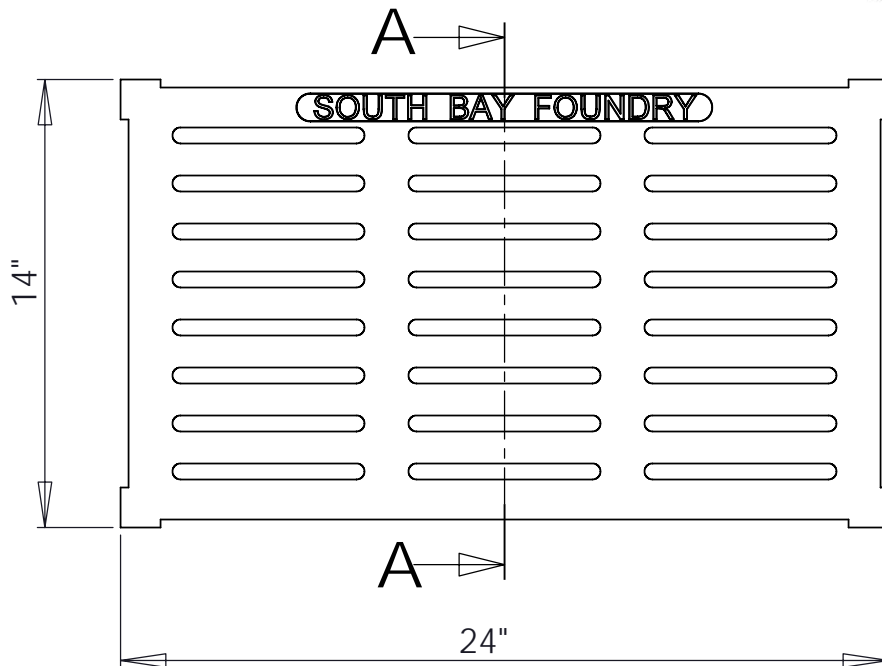
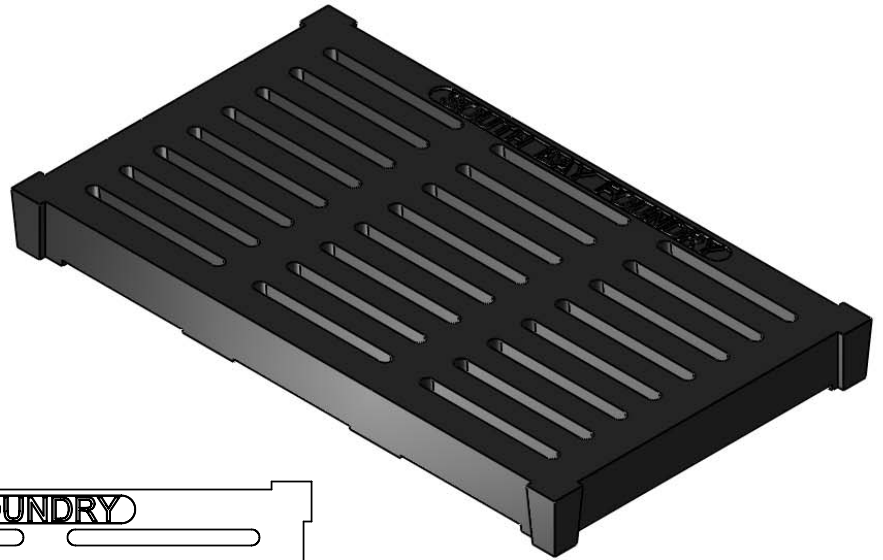
South Bay Foundry

WWW.SOUTHBAYFOUNDRY.COM

PHONE: (619) 956-2780 FAX: (619) 956-2788

SBF 14 x 24

ADA GRATE



WEIGHT

90 LB

GENERAL INFORMATION

- *MATERIALS CONFORM TO ASTM A48 CLASS 30B
- *CASTINGS SHALL BE DIPPED IN BLACK BITUMINOUS PAINT
- *GRATE MEETS H-20 WHEEL LOADING

APPROVED

BY:

TITLE:

AGENCY:

DATE: