



# South Bay Foundry

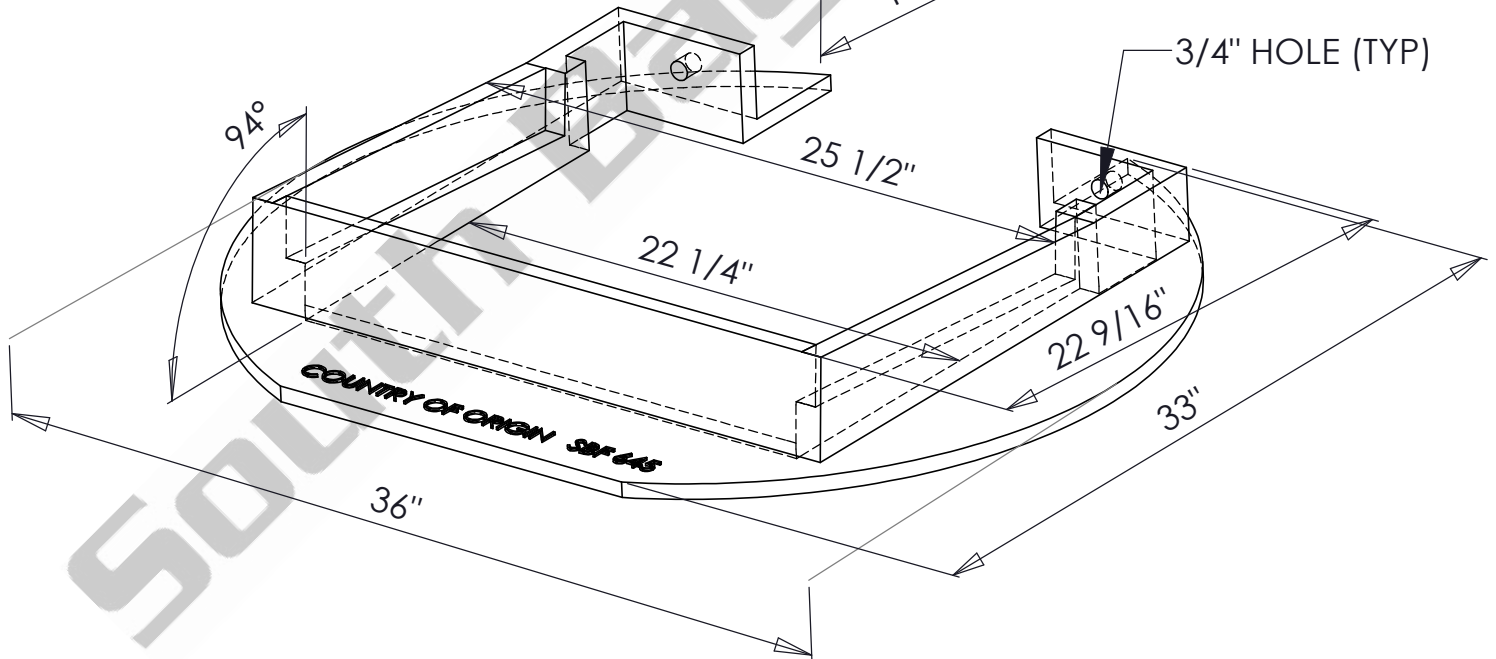
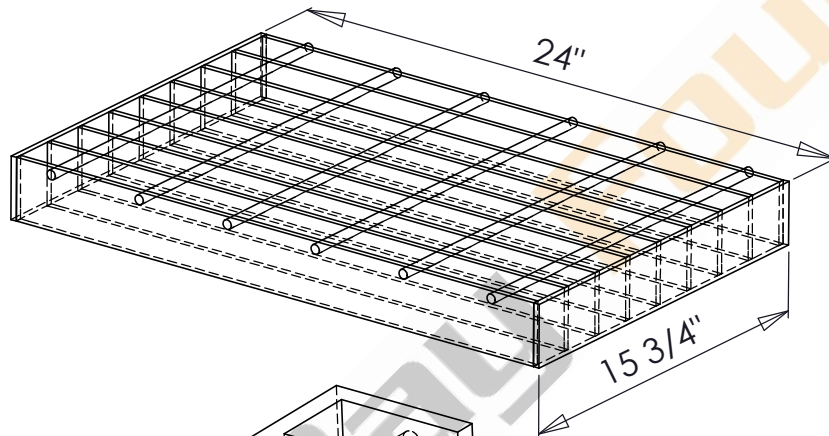
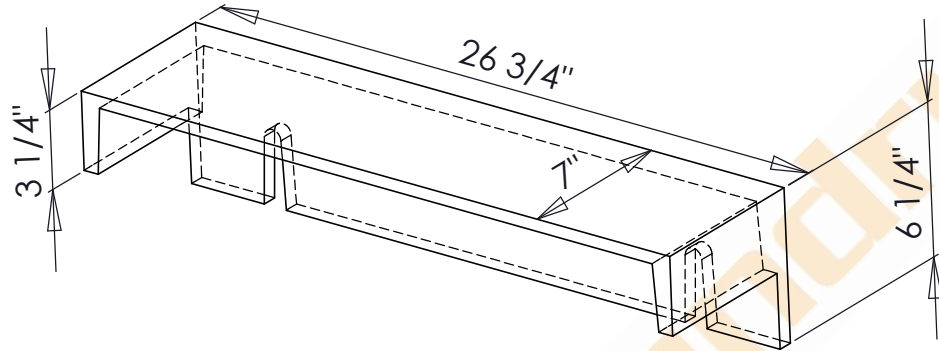
WWW.SOUTHBAYFOUNDRY.COM

PHONE: (619) 956-2780 FAX: (619) 956-2788

## 645-6.25 HOOD

6 1/4" HOOD WITH  
1903 STEEL GRATE  
C1960, C1962, E2160-1

SET WEIGHT	
Hood	100 lbs
Frame	154 lbs
Grate	42 lbs
Total	296 lbs



### GENERAL INFORMATION

- \*ALL MATERIALS USED IN MANUFACTURING SHALL CONFORM TO ASTM 48
- \*FRAME AND COVER BEARING SURFACES MACHINED FOR CLOSE, QUIET FIT
- \*FRAME AND COVER EXCEEDS H-20 WHEEL LOADING

APPROVED

BY:

TITLE:

AGENCY:

DATE:



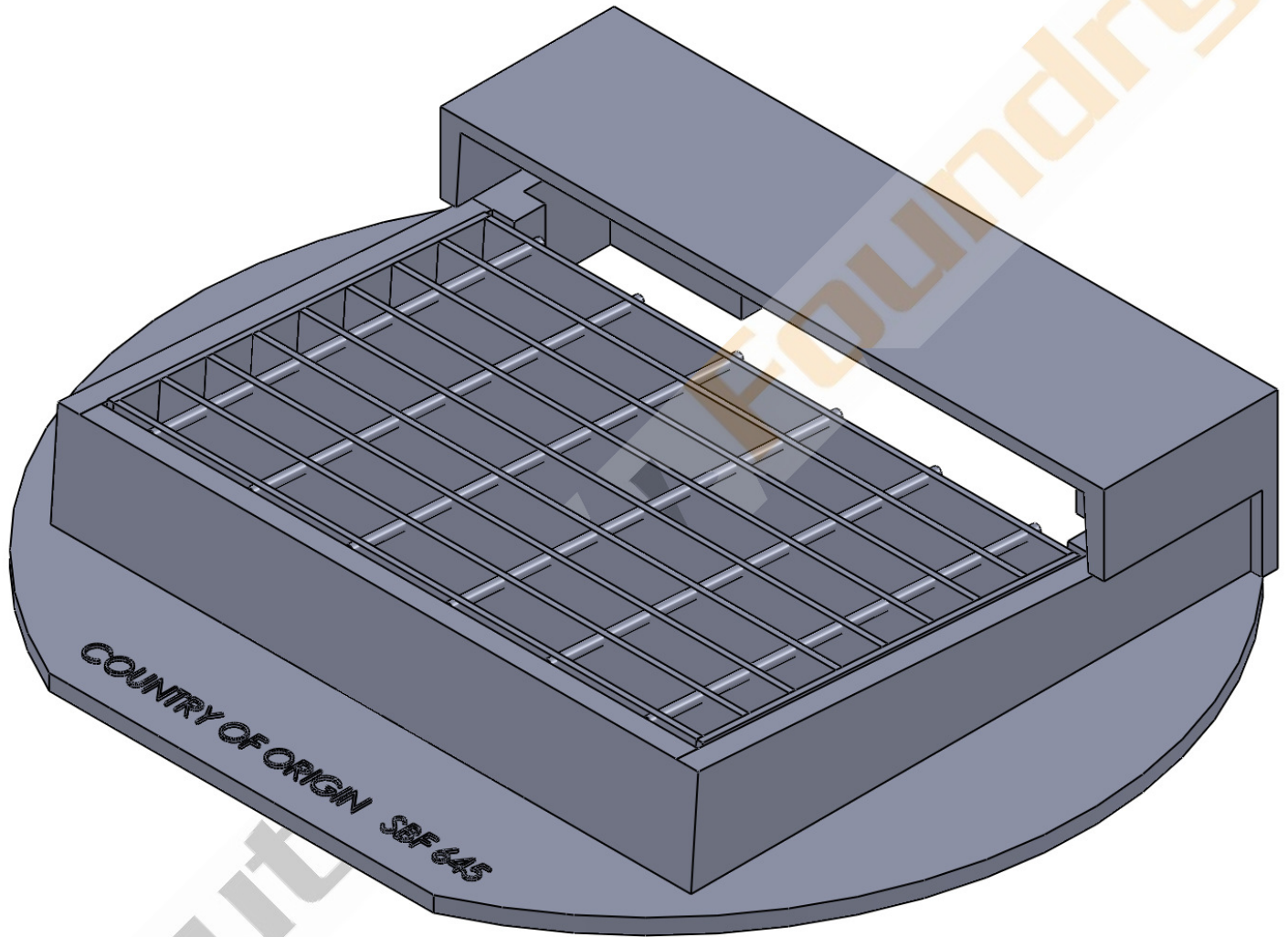
# South Bay Foundry

WWW.SOUTHBAYFOUNDRY.COM

PHONE: (619) 956-2780 FAX: (619) 956-2788

## 645-6.25 HOOD

6 1/4" HOOD WITH  
1903 STEEL GRATE  
C1960, C1962, E2160-1



### GENERAL INFORMATION

- \*ALL MATERIALS USED IN MANUFACTURING SHALL CONFORM TO ASTM 48
- \*FRAME AND COVER BEARING SURFACES MACHINED FOR CLOSE, QUIET FIT
- \*FRAME AND COVER EXCEEDS H-20 WHEEL LOADING

APPROVED

BY:

TITLE:

AGENCY:

DATE: