



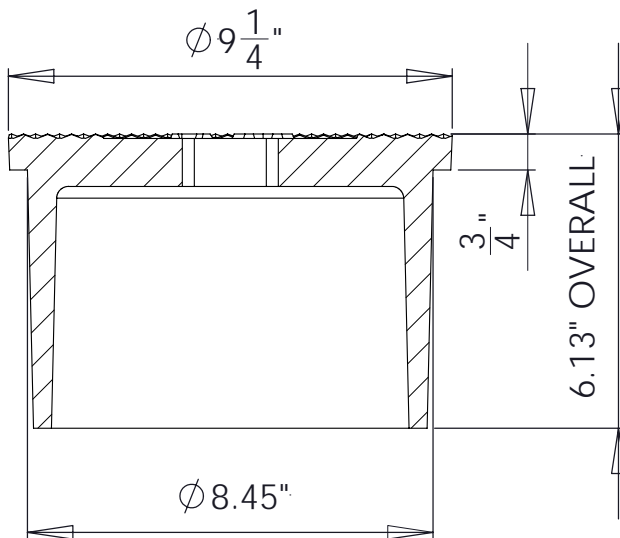
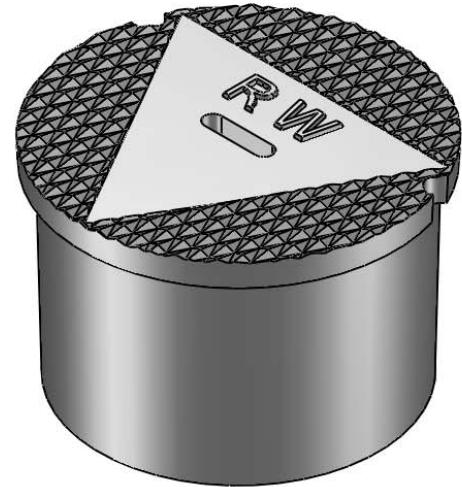
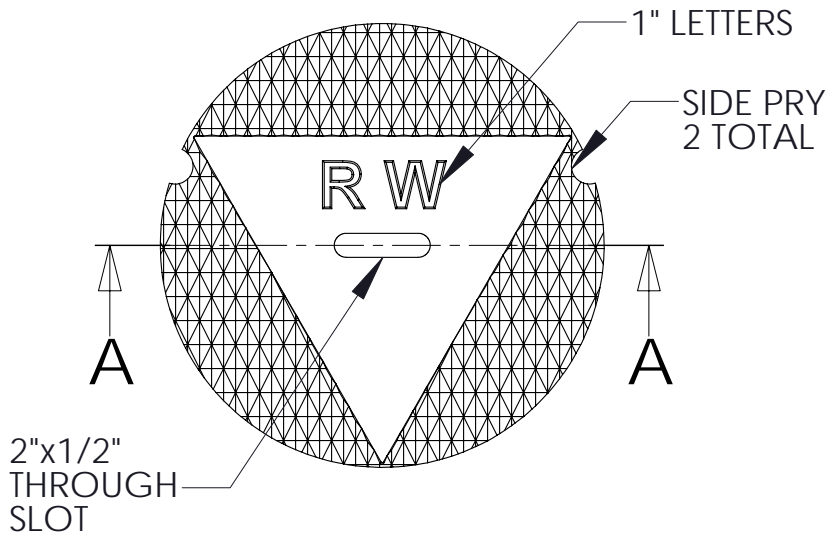
**South Bay Foundry**

WWW.SOUTHBAYFOUNDRY.COM

PHONE: (619) 956-2780 FAX: (619) 956-2788

**SBF B6128**

9" WELL COVER  
RW



**SECTION A-A**

**WEIGHT**

**38 LB**

**GENERAL INFORMATION**

\*MATERIALS CONFORM TO ASTM A48 CLASS 35B  
\*BEARING SURFACE MACHINED FOR CLOSE, QUIET FIT

APPROVED

BY:

TITLE:

AGENCY:

DATE: