



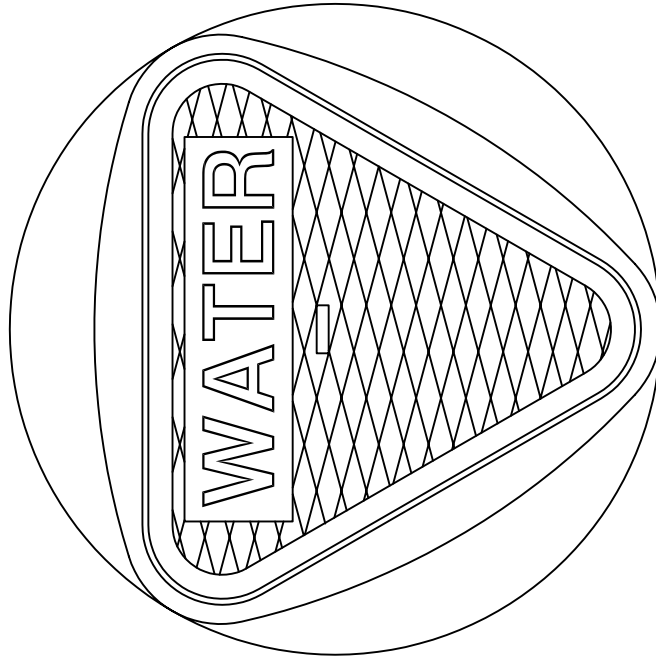
South Bay Foundry

WWW.SOUTHBAYFOUNDRY.COM

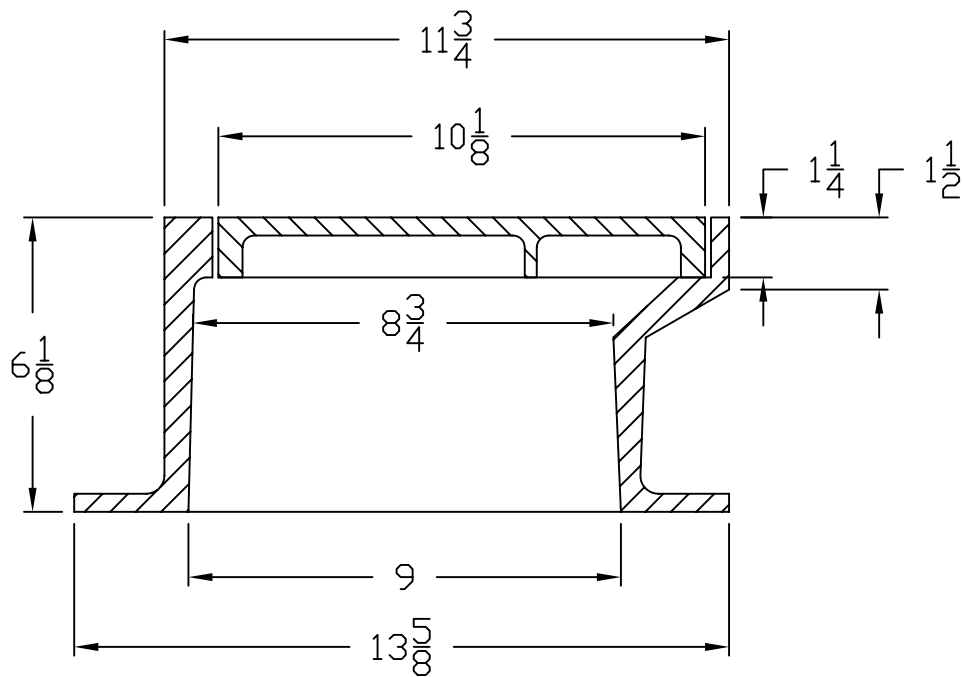
PHONE: (619) 956-2780 FAX: (619) 956-2788

SBF 1237

9" VALVE BOX
TRIANGLE C/O



SET WEIGHT	
FRAME	45 LB
COVER	13 LB
TOTAL	58 LB



GENERAL INFORMATION

- *MATERIALS CONFORM TO ASTM A48 CLASS 35B
- *CASTINGS SHALL BE DIPPED IN BLACK BITUMINOUS PAINT
- *FRAME AND COVER MEETS H-20 WHEEL LOADING

APPROVED

BY:

TITLE:

AGENCY:

DATE: