



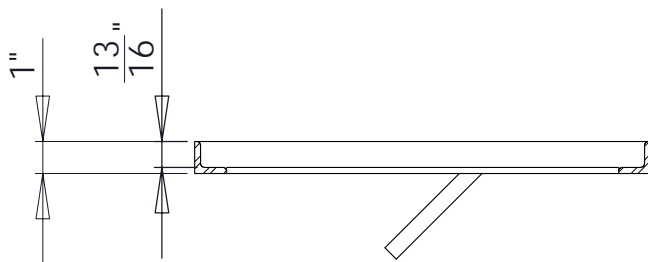
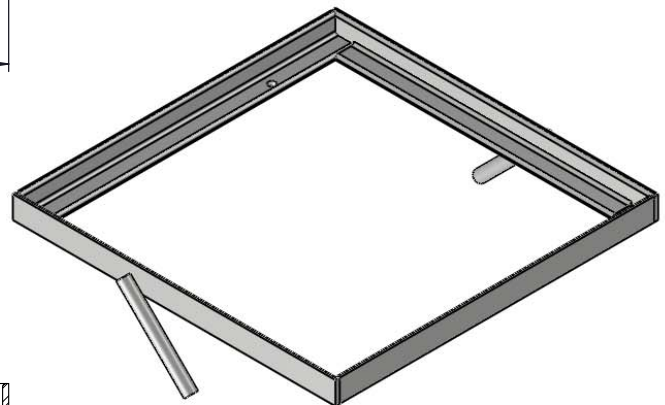
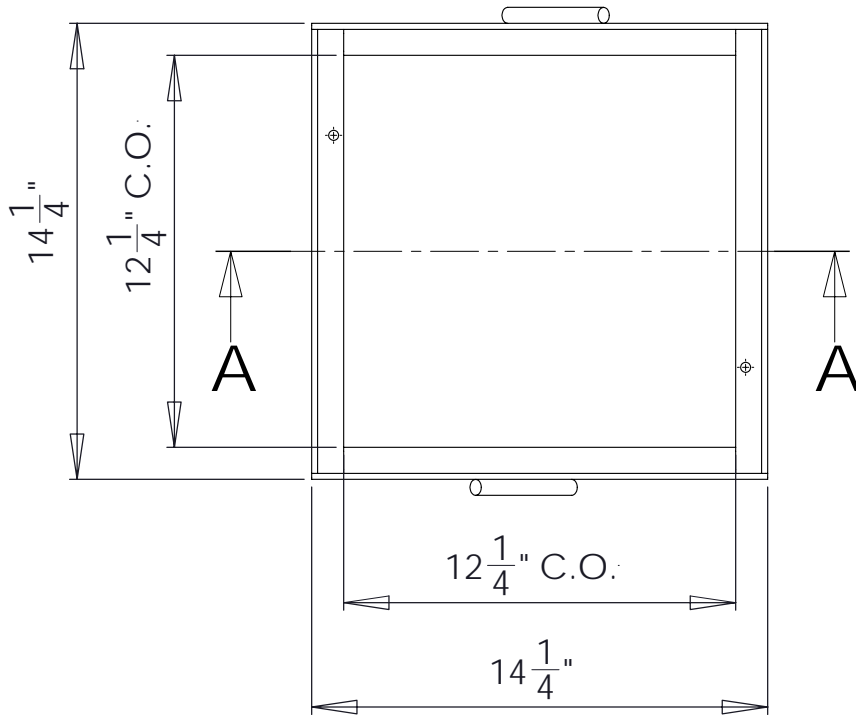
South Bay Foundry

WWW.SOUTHBAYFOUNDRY.COM

PHONE: (619) 956-2780 FAX: (619) 956-2788

E1040G

12x12 NT FRAME



SECTION A-A

WEIGHT
11 LB

GENERAL INFORMATION

- *MATERIAL: STEEL ASTM A36
- *FINISH: HOT DIP GALVANIZED ASTM A123

APPROVED

BY:

TITLE:

AGENCY:

DATE: