



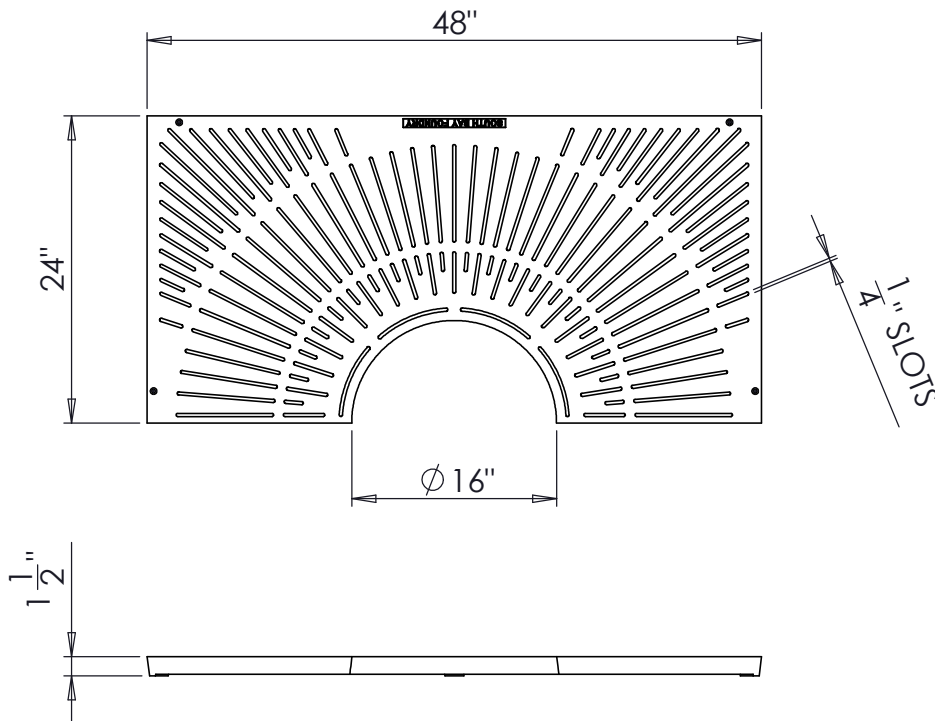
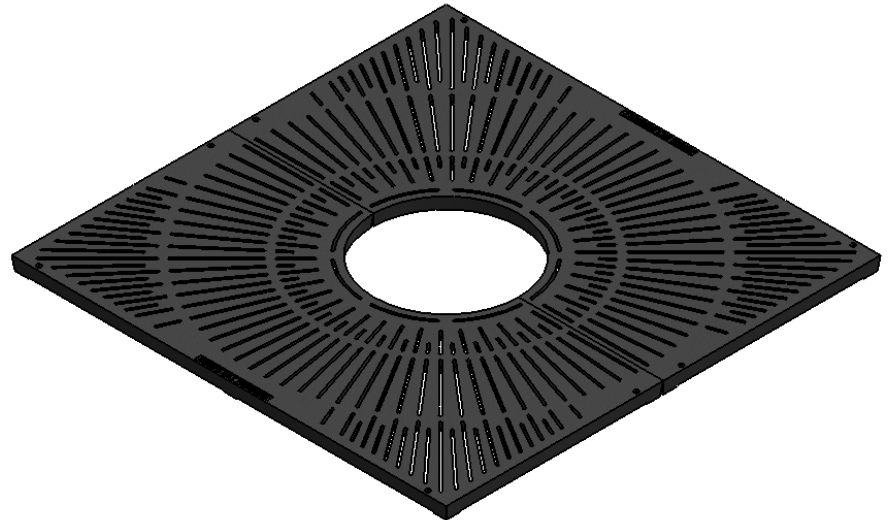
South Bay Foundry

WWW.SOUTHBAYFOUNDRY.COM

PHONE: (619) 956-2780 FAX: (619) 956-2788

D1148-1.5SQ

48"x48" STB STYLE TREE GRATE



WEIGHT	
PER SET	366 LB

GENERAL INFORMATION

- *MATERIAL: CAST IRON, DUCTILE IRON, OR ALUMINUM
- *FINISHES AVAILABLE: BARE, PAINTED, POWDER COATED, OR SHARK GRIP
- *APPROXIMATE TREE OPENING: ϕ 16", ϕ 18", OR ϕ 26"

APPROVED

BY:

TITLE:

AGENCY:

DATE:

5/22/2013