



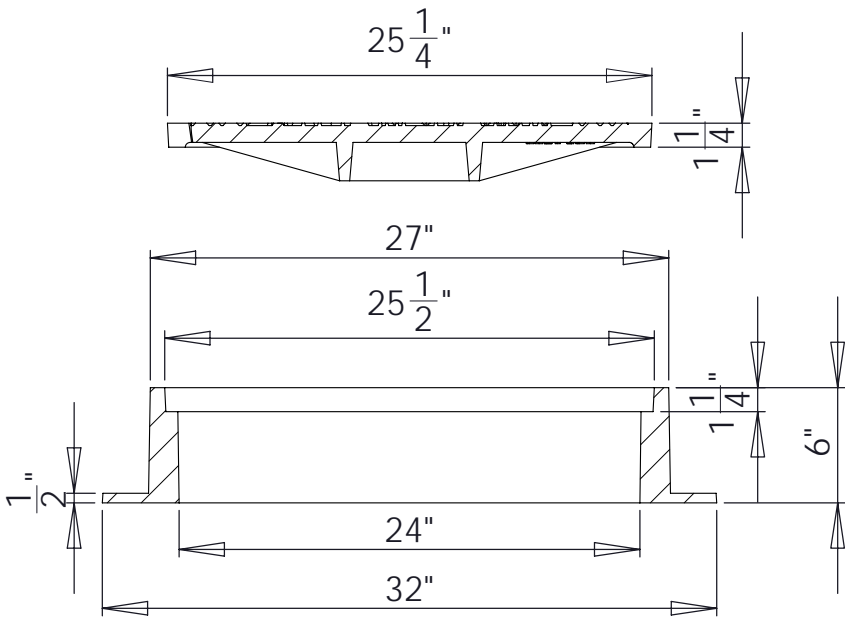
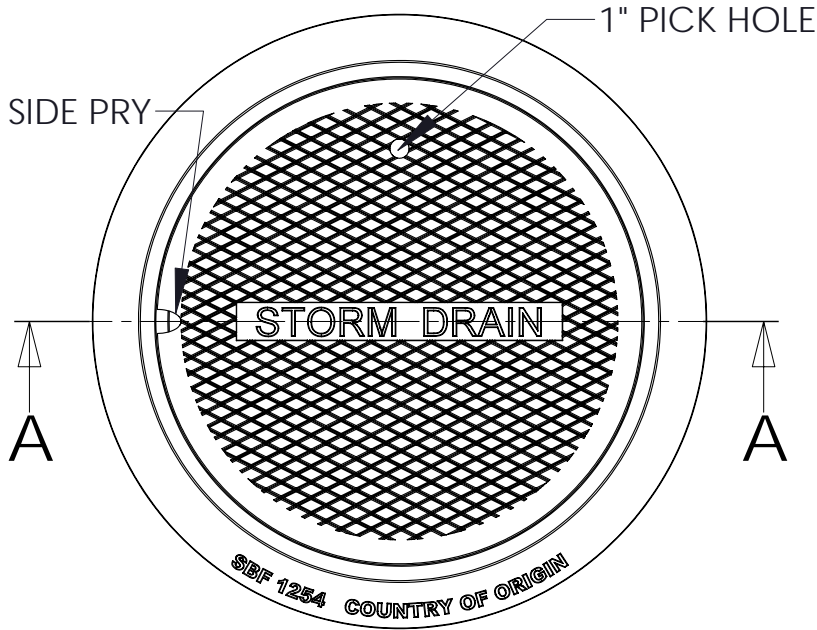
# South Bay Foundry

WWW.SOUTHBAYFOUNDRY.COM

PHONE: (619) 956-2780 FAX: (619) 956-2788

## SBF 1254

24" MANHOLE  
COVER AND 6" FRAME  
STORM DRAIN



### SECTION A-A

SET WEIGHT	
FRAME	192 LB
COVER	150 LB
TOTAL	342 LB

#### GENERAL INFORMATION

- \*MATERIALS CONFORM TO ASTM A48 CLASS 35B
- \*FRAME AND COVER BEARING SURFACES MACHINED FOR CLOSE, QUIET FIT
- \*CASTINGS SHALL BE DIPPED IN BLACK BITUMINOUS PAINT
- \*FRAME AND COVER EXCEEDS H-20 WHEEL LOADING

APPROVED

BY:

TITLE:

AGENCY:

DATE: