



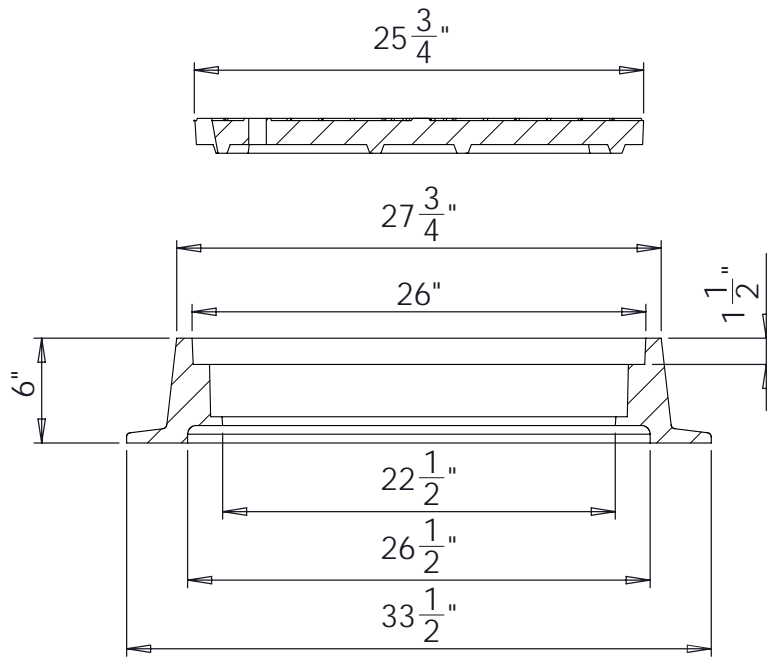
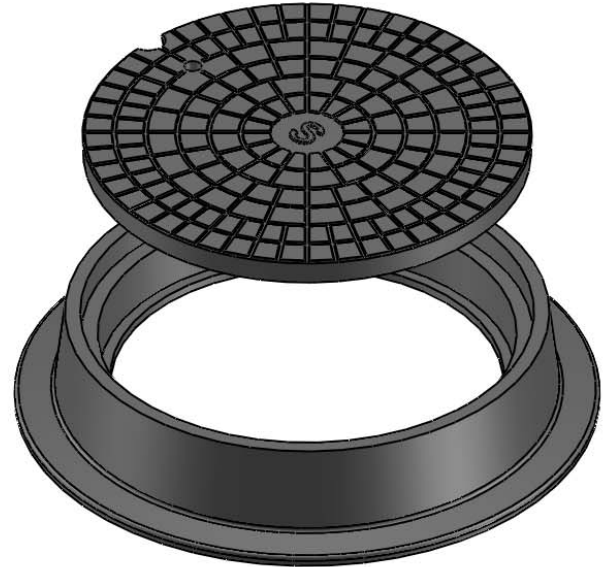
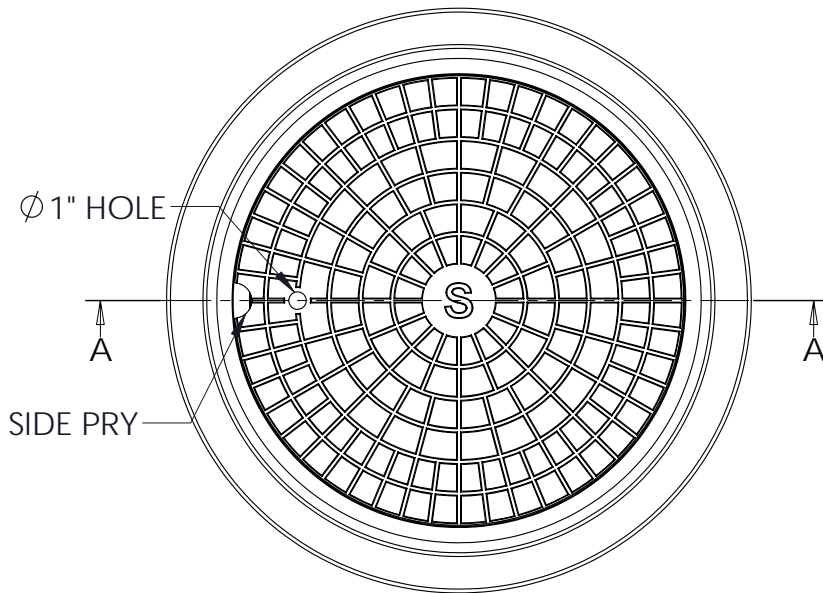
South Bay Foundry

WWW.SOUTHBAYFOUNDRY.COM

PHONE: (619) 956-2780 FAX: (619) 956-2788

SBF 1170

22-1/2" MANHOLE
FRAME AND COVER
S



SECTION A-A

ID#	A3000	A3008	
SIZE	22-1/2" (F)	25-3/4" (C)	TOTAL
WEIGHT	210 LB	225 LB	435 LB

GENERAL INFORMATION

- *MATERIAL: GREY CAST IRON ASTM A48 CLASS 30B
- *BEARING SURFACES MACHINED FOR CLOSE, QUIET FIT
- *FINISH: DIPPED IN BLACK BITUMINOUS PAINT
- *MEETS H-20 WHEEL LOAD REQUIREMENTS

APPROVED

BY:

TITLE:

AGENCY:

DATE: