



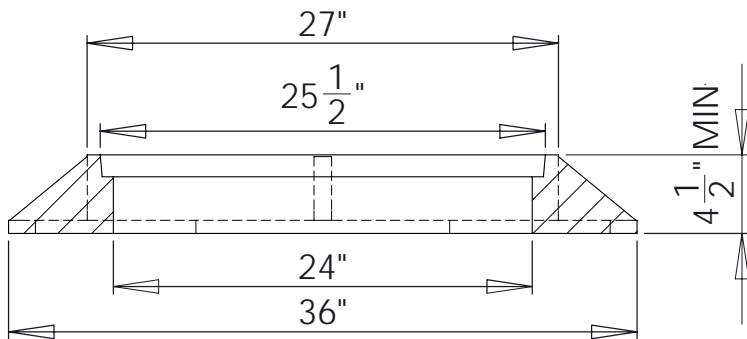
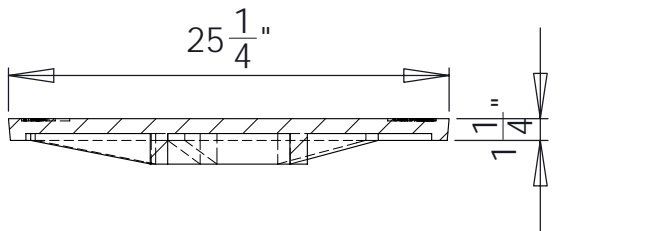
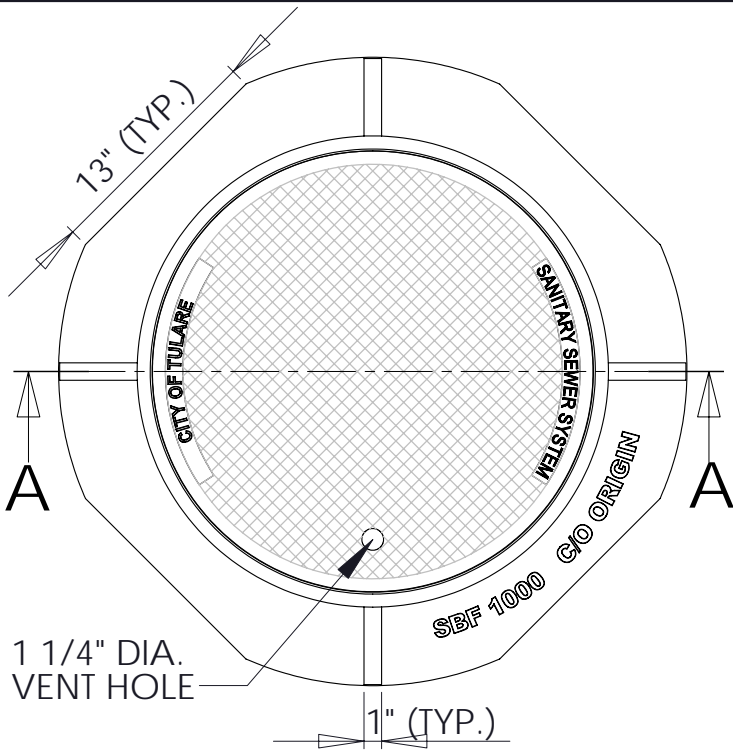
# South Bay Foundry

WWW.SOUTHBAYFOUNDRY.COM

PHONE: (619) 956-2780 FAX: (619) 956-2788

**SBF 1000**

24" MANHOLE  
FRAME AND COVER  
TULARE SANITARY SEWER SYSTEM



## SECTION A-A

SET WEIGHT	
FRAME	180
COVER	147
<b>TOTAL</b>	<b>327</b>

### GENERAL INFORMATION

- \*MATERIAL: GREY CAST IRON ASTM A48 CLASS 30B
- \*BEARING SURFACES MACHINED FOR CLOSE, QUIET FIT
- \*FINISH: DIPPED IN BLACK BITUMINOUS PAINT
- \*MEETS H-20 WHEEL LOAD

APPROVED

BY:

TITLE:

AGENCY:

DATE: