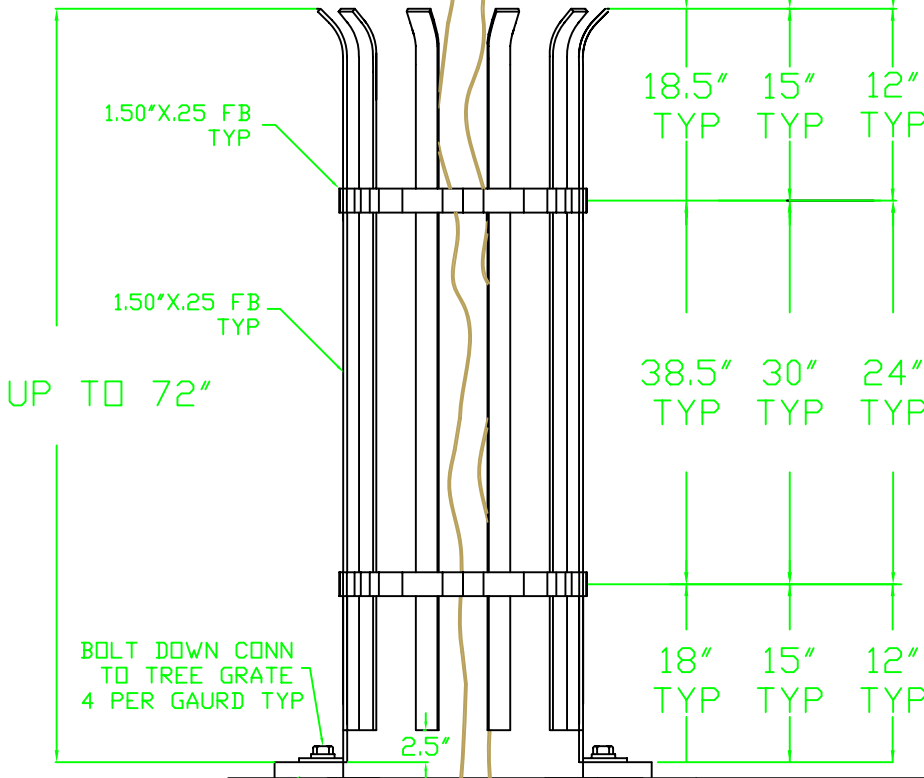
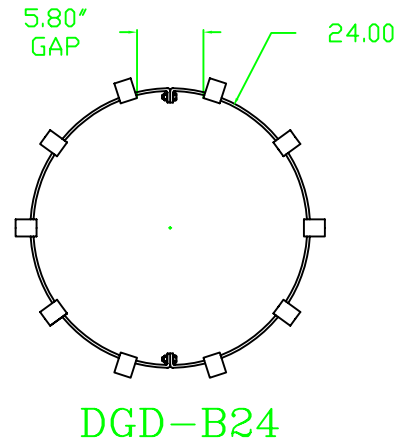
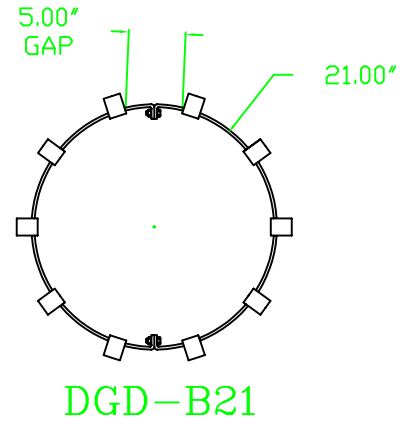
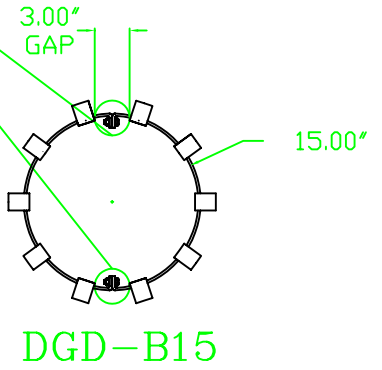
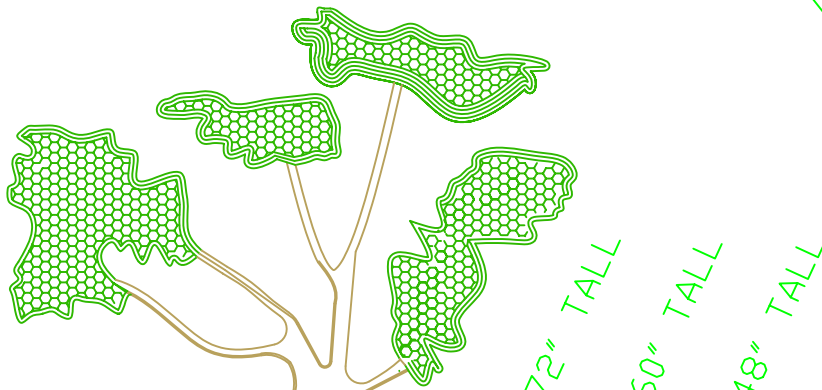
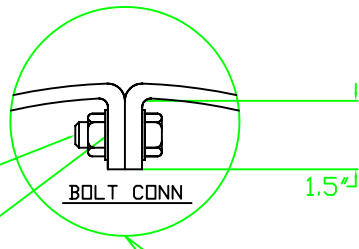


1/2" BOLT/  
WASHER/NUT  
9/16" Ø



BOLT DOWN CONN  
TO TREE GRATE  
4 PER GAURD TYP

TREE GRATE

GD-B STYLE

NOTES:  
DESCRIPTION: STEEL TREE GAURD  
MATERIAL: ASTM A 36 STEEL.  
FINISH: CAN BE FINISHED PER CUSTOMERS  
SPECIFICATIONS.

WEIGHT	88 LBS + /
DATE	9/13/02
DRW BY	JEFF
CHK	BRIAN

SOUTH BAY FOUNDRY, INC.  
9444 ABRAHAM WAY  
SANTEE CA 92071  
PH (619) 956-2780  
FAX (619) 956-2788



SOUTH BAY FOUNDRY, INC. DECORATIVE		
DIMENSIONS IN INCHES	: .X ± .XX	: .XXX
DESCRIPTION TREE GUARD DRAWING		
TITLE STYLE GD-B	SHEET 1 OF 1	