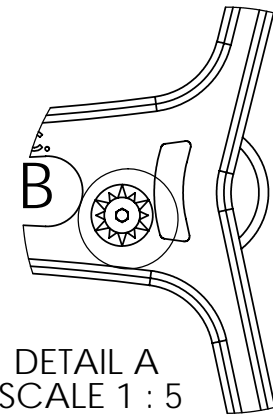
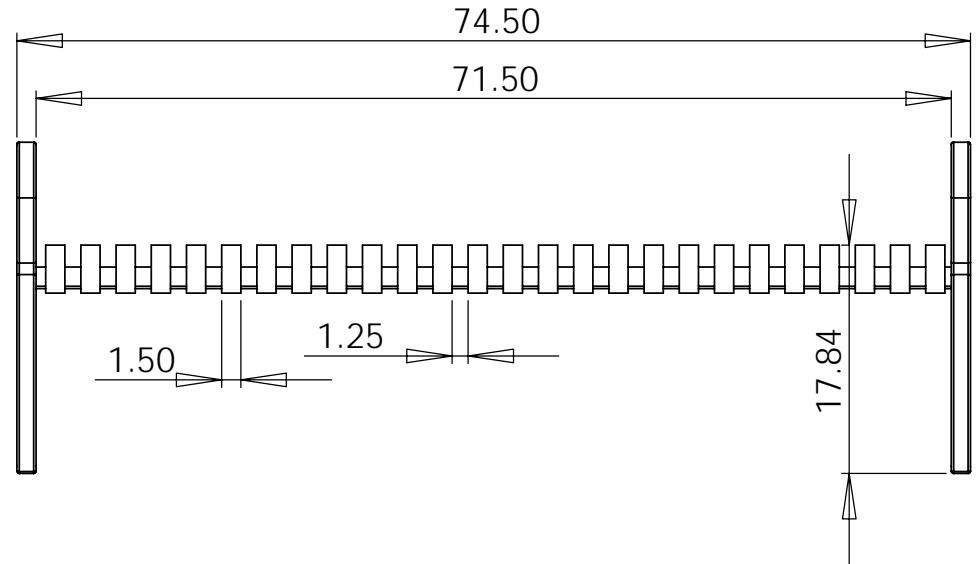
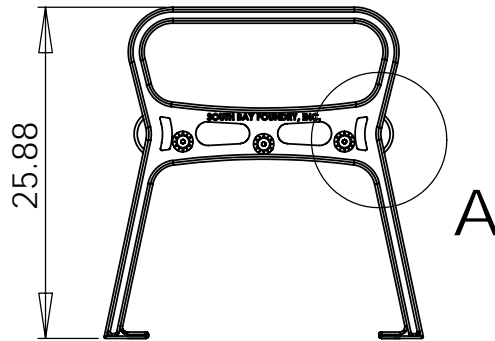


DETAIL B
SCALE 1 : 2



DETAIL A
SCALE 1 : 5



TITLE:
PB100-NB72 PARK BENCH ASSEMBLY 100 72" NO BACK CAST SIDE FAB BODY

UNLESS OTHERWISE SPECIFIED:
DIMENSIONS ARE IN INCHES
AS CAST TOLERANCES ARE:
FRACTIONAL DECIMAL ANGLE
XX = ± XX XX = ± 1°
XXX = ± .XXX
XXXX = ± .XXXX

FINISH:
*SIDE METALIZED
FINISHED PER SPEC
*BODY HDG FINISHED
PER SPEC

SURFACE FINISH:

	NAME	SIGNATURE	DATE	DEBUR AND BREAK SHARP EDGES
DRAWN	JEFF		05/09/05	
CHK'D				
APPV'D				
MFG				
Q.A				



South Bay Foundry, Inc.

9444 ABRAHAM WAY / SANTEE / CA. / 92071
PH: 619 956-2780 FAX: 619 956-2788
[HTTP://www.southbayfoundry.com](http://www.southbayfoundry.com)

MATERIAL:
BODY ST
CST DI
XX lbs

MAT SPEC
BODY ST A36
CST DI 65-45-12
SCALE 1:20

DRAWING NUMBER
PB100-NB72

REVISION
-

SHEET 1 OF 1